

Wafer Butterfly Valve
D71X-10/16/150LBQ-DN50-DN80

DN50 DI DISC



DN65 DI DISC



DN80 DI DISC



Wafer Butterfly Valve
D71X-10/16/150LBQ-DN100-DN150

DN100 DI DISC



DN125 DI DISC



DN150 DI DISC



Wafer Butterfly Valve
D71XP-10/16/150LBQ-DN50-DN80

DN50 SS304 DISC



DN65 SS304 DISC



DN80 SS304 DISC



Wafer Butterfly Valve
D71XP-10/16/150LBQ-DN100-DN150

DN100 SS304 DISC



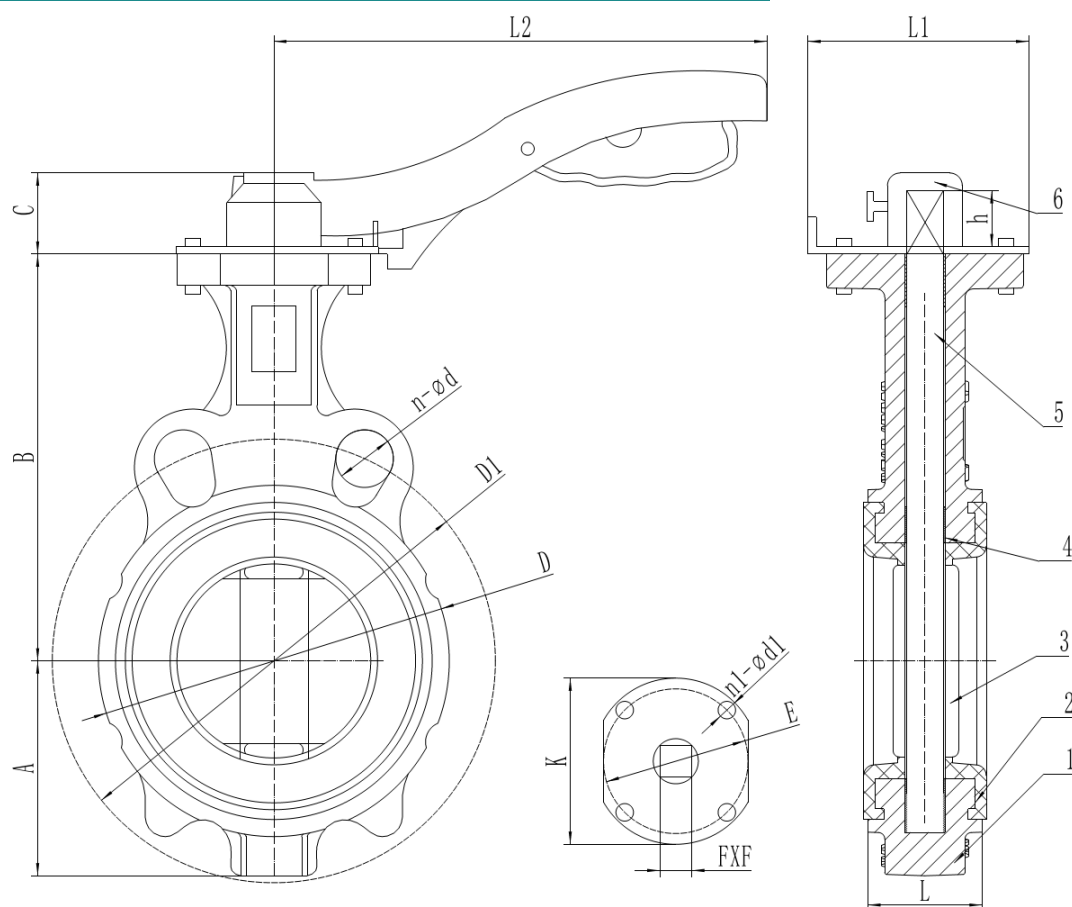
DN125 SS304 DISC



DN150 SS304 DISC



Wafer Butterfly Valve D71X-10/16/150LBQ-DN50-DN150



MAIN MATERIAL:

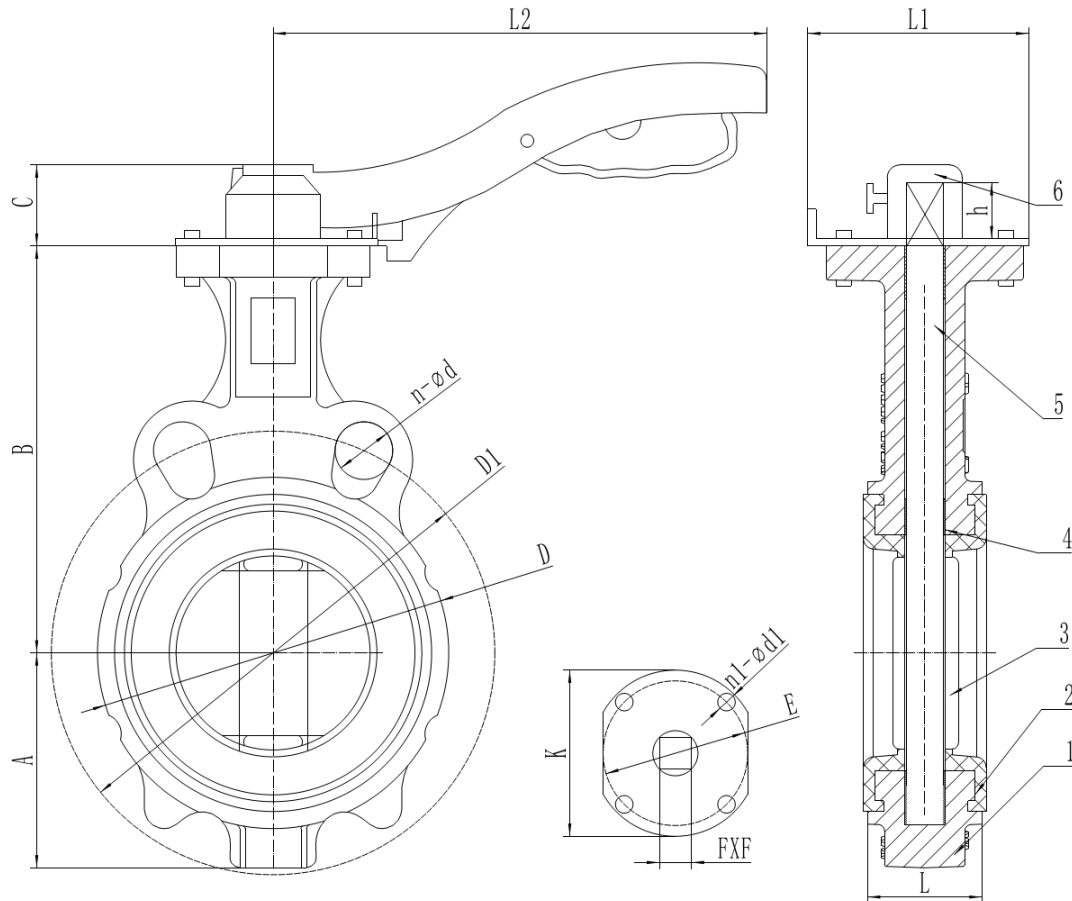
No.	NAME	MATERIAL
1	BODY	GGG40
2	DISC	GGG40
3	STEM	2Cr13

No.	NAME	MATERIAL
4	SEAT	EPDM
5	STEM SEAL	NBR+PTFE
6	LEVER	ALUMINIUM ALLOY

MAIN DIMENSIONS: PN10/PN16/150LB

SIZE	L±1	A	B	C	D	D1			n-ød			FXF	ISO5211	K	E	n1-ød1	L1	L2	WEIGHT DI DISC(KG)
						PN10	PN16	150LB	PN10	PN16	150LB								
DN50	42	60	135	32	85	125	125	120.7	4-ø19	4-ø19	4-ø19	9X9	F05	65	50	4-ø8	82	187	2.25
DN65	45	70	140	32	100	145	145	139.7	4-ø19	4-ø19	4-ø19	9X9	F05	65	50	4-ø8	82	187	2.8
DN80	45	80	150	32	114	160	160	152.4	8-ø19	8-ø19	8-ø19	9X9	F05	65	50	4-ø8	82	187	3.15
DN100	52	97	174	36	146	180	180	190.5	8-ø19	8-ø19	8-ø19	11X11	F07	90	70	4-ø10	100	240	4.4
DN125	55	113	187	36	169	210	210	215.9	8-ø23	8-ø23	8-ø23	14X14	F07	90	70	4-ø10	100	240	5.9
DN150	56	130	205	36	200	240	240	241.3	8-ø23	8-ø23	8-ø23	14X14	F07	90	70	4-ø10	100	240	7.3

Wafer Butterfly Valve D71XP-10/16/150LBQ-DN50-DN150



MAIN MATERIAL:

No.	NAME	MATERIAL
1	BODY	GGG40
2	DISC	304
3	STEM	2Cr13

No.	NAME	MATERIAL
4	SEAT	EPDM
5	STEM SEAL	NBR+PTFE
6	LEVER	ALUMINIUM ALLOY

MAIN DIMENSIONS: PN10/PN16/150LB

SIZE	L±1	A	B	C	D	D1			n-φd			FXF	ISO5211	K	E	n1-φd1	L1	L2	WEIGHT 304 DISC(KG)
						PN10	PN16	150LB	PN10	PN16	150LB								
DN50	42	60	135	32	85	125	125	120.7	4-φ19	4-φ19	4-φ19	9X9	F05	65	50	4-φ8	82	187	2.2
DN65	45	70	140	32	100	145	145	139.7	4-φ19	4-φ19	4-φ19	9X9	F05	65	50	4-φ8	82	187	2.7
DN80	45	80	150	32	114	160	160	152.4	8-φ19	8-φ19	8-φ19	9X9	F05	65	50	4-φ8	82	187	3.1
DN100	52	97	174	36	146	180	180	190.5	8-φ19	8-φ19	8-φ19	11X11	F07	90	70	4-φ10	100	240	4.3
DN125	55	113	187	36	169	210	210	215.9	8-φ23	8-φ23	8-φ23	14X14	F07	90	70	4-φ10	100	240	5.75
DN150	56	130	205	36	200	240	240	241.3	8-φ23	8-φ23	8-φ23	14X14	F07	90	70	4-φ10	100	240	7.

Wafer Butterfly Valve
D371X-10/16/150LBQ-DN50-DN80

DN50 DI DISC



DN65 DI DISC



DN80 DI DISC



Wafer Butterfly Valve
D371X-10/16/150LBQ-DN100-DN150

DN100 DI DISC



DN125 DI DISC



DN150 DI DISC



Wafer Butterfly Valve
D371X-10/16/150LBQ-DN200-DN300

DN200 DI DISC



DN250 DI DISC



DN300 DI DISC



Wafer Butterfly Valve
D371XP-10/16/150LBQ-DN50-DN80

DN50 SS304 DISC



DN65 SS304 DISC



DN80 SS304 DISC



Wafer Butterfly Valve
D371XP-10/16Q-DN100-DN150

DN100 SS304 DISC



DN125 SS304 DISC



DN150 SS304 DISC



Wafer Butterfly Valve
D371XP-10/16Q/150LBQ-DN200-DN300

DN200 SS304 DISC



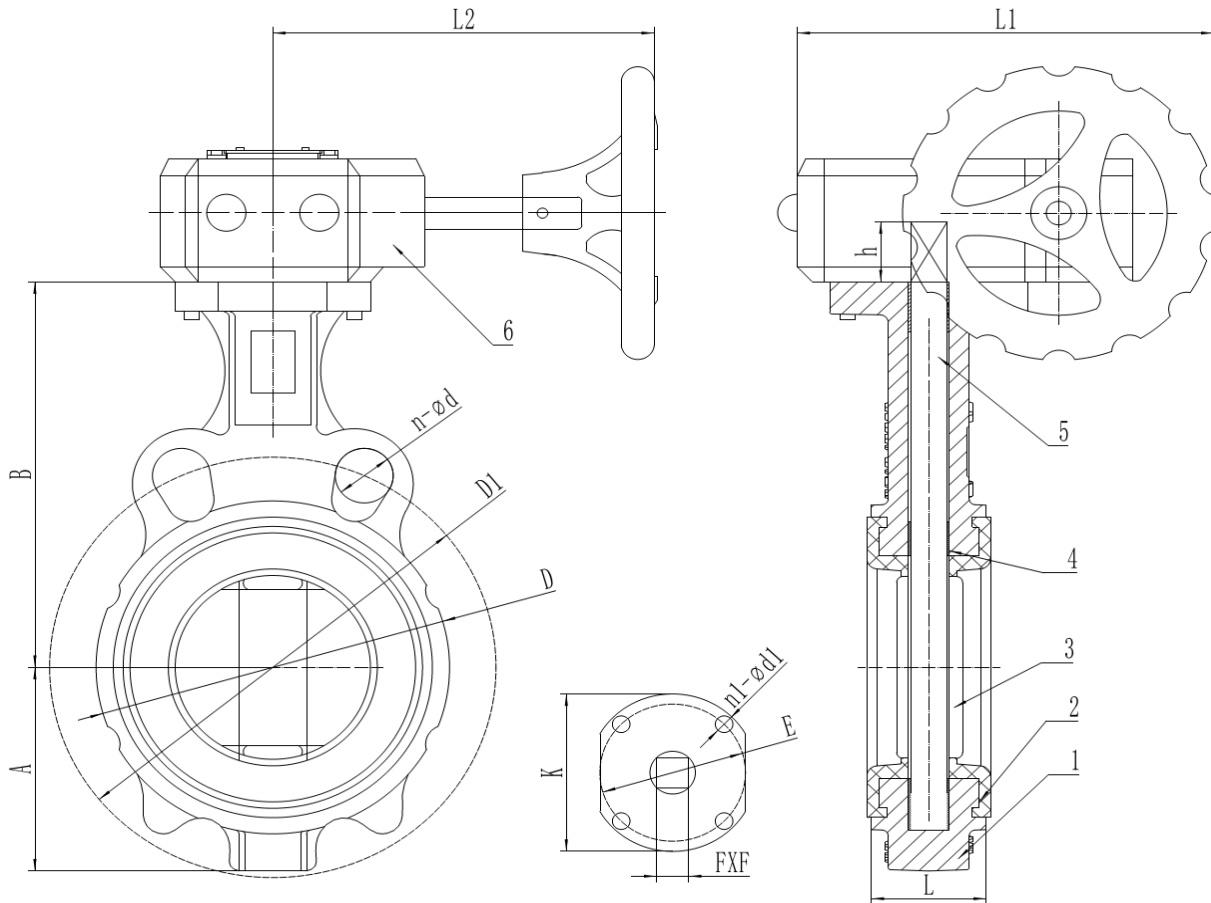
DN250 SS304 DISC



DN300 SS304 DISC



Wafer Butterfly Valve D371X-10/16/150LBQ-DN50-DN300



MAIN MATERIAL:

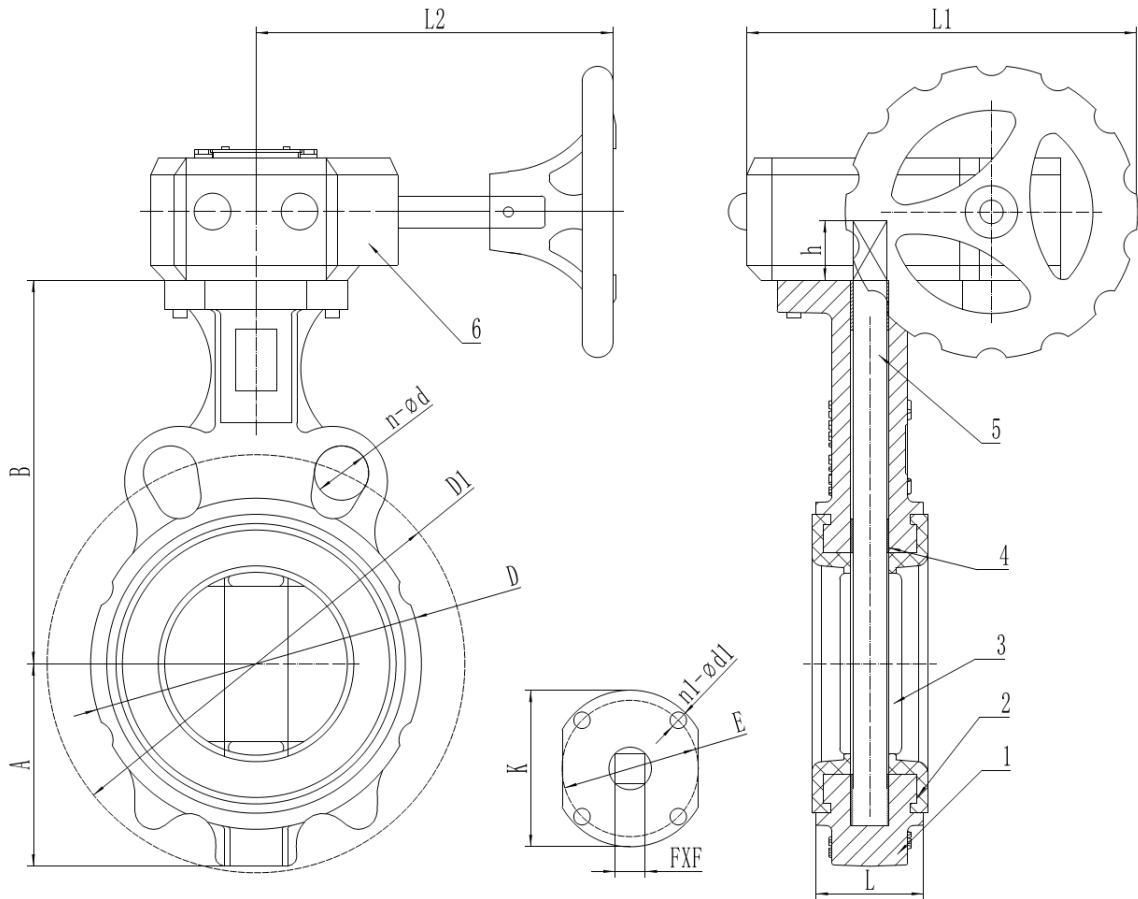
No.	NAME	MATERIAL
1	BODY	GGG40
2	DISC	GGG40
3	STEM	2Cr13

No.	NAME	MATERIAL
4	SEAT	EPDM
5	STEM SEAL	NBR+PTFE
6	GEARBOX	ALUMINIUM ALLOY

MAIN DIMENSIONS: PN10/PN16/150LB

SIZE	L±1	A	B	D	D1			n-φd			FXF	ISO5211	K	E	n1-φd1	L1	L2	WEIGHT DI DISC(KG)
					PN10	PN16	150LB	PN10	PN16	150LB								
DN50	42	60	135	85	125	125	120.7	4-φ19	4-φ19	4-φ19	9X9	F05	65	50	4-φ8	82	187	3.1
DN65	45	70	140	100	145	145	139.7	4-φ19	4-φ19	4-φ19	9X9	F05	65	50	4-φ8	82	187	3.55
DN80	45	80	150	114	160	160	152.4	8-φ19	8-φ19	8-φ19	9X9	F05	65	50	4-φ8	82	187	4.05
DN100	52	97	174	146	180	180	190.5	8-φ19	8-φ19	8-φ19	11X11	F07	90	70	4-φ10	100	240	5.55
DN125	55	113	187	169	210	210	215.9	8-φ23	8-φ23	8-φ23	14X14	F07	90	70	4-φ10	100	240	7
DN150	56	130	205	200	240	240	241.3	8-φ23	8-φ23	8-φ23	14X14	F07	90	70	4-φ10	100	240	8.45
DN200	58	160	230	249	295	295	298.5	8-φ23	12-φ23	8-φ23	17X17	F10	125	102	4-φ12	255	205	14.7
DN250	65	193	277	302	350	355	362	12-φ23	12-φ28	12-φ28	22X22	F10	125	102	4-φ12	255	205	20.8
DN300	75	225	316	353	400	410	431.8	12-φ23	12-φ28	12-φ28	22X22	F12	150	125	4-φ14	255	205	29.3

Wafer Butterfly Valve D71XP-10/16/150LBQ-DN50-DN150



MAIN MATERIAL:

No.	NAME	MATERIAL
1	BODY	GGG40
2	DISC	304
3	STEM	2Cr13

No.	NAME	MATERIAL
4	SEAT	EPDM
5	STEM SEAL	NBR+PTFE
6	GEARBOX	ALUMINIUM ALLOY

MAIN DIMENSIONS: PN10/PN16/150LB

SIZE	L±1	A	B	D	D1			n-φd			FxF	ISO5211	K	E	n1-φd1	L1	L2	WEIGHT 304 DISC(KG)
					PN10	PN16	150LB	PN10	PN16	150LB								
DN50	42	60	135	85	125	125	120.7	4-φ19	4-φ19	4-φ19	9X9	F05	65	50	4-φ8	82	187	3.05
DN65	45	70	140	100	145	145	139.7	4-φ19	4-φ19	4-φ19	9X9	F05	65	50	4-φ8	82	187	3.5
DN80	45	80	150	114	160	160	152.4	8-φ19	8-φ19	8-φ19	9X9	F05	65	50	4-φ8	82	187	3.95
DN100	52	97	174	146	180	180	190.5	8-φ19	8-φ19	8-φ19	11X11	F07	90	70	4-φ10	100	240	5.45
DN125	55	113	187	169	210	210	215.9	8-φ23	8-φ23	8-φ23	14X14	F07	90	70	4-φ10	100	240	6.9
DN150	56	130	205	200	240	240	241.3	8-φ23	8-φ23	8-φ23	14X14	F07	90	70	4-φ10	100	240	8.15
DN200	58	160	230	249	295	295	298.5	8-φ23	12-φ23	8-φ23	17X17	F10	125	102	4-φ12	255	205	14.7
DN250	65	193	277	302	350	355	362	12-φ23	12-φ28	12-φ28	22X22	F10	125	102	4-φ12	255	205	20.9
DN300	75	225	316	353	400	410	431.8	12-φ23	12-φ28	12-φ28	22X22	F12	150	125	4-φ14	255	205	29.6